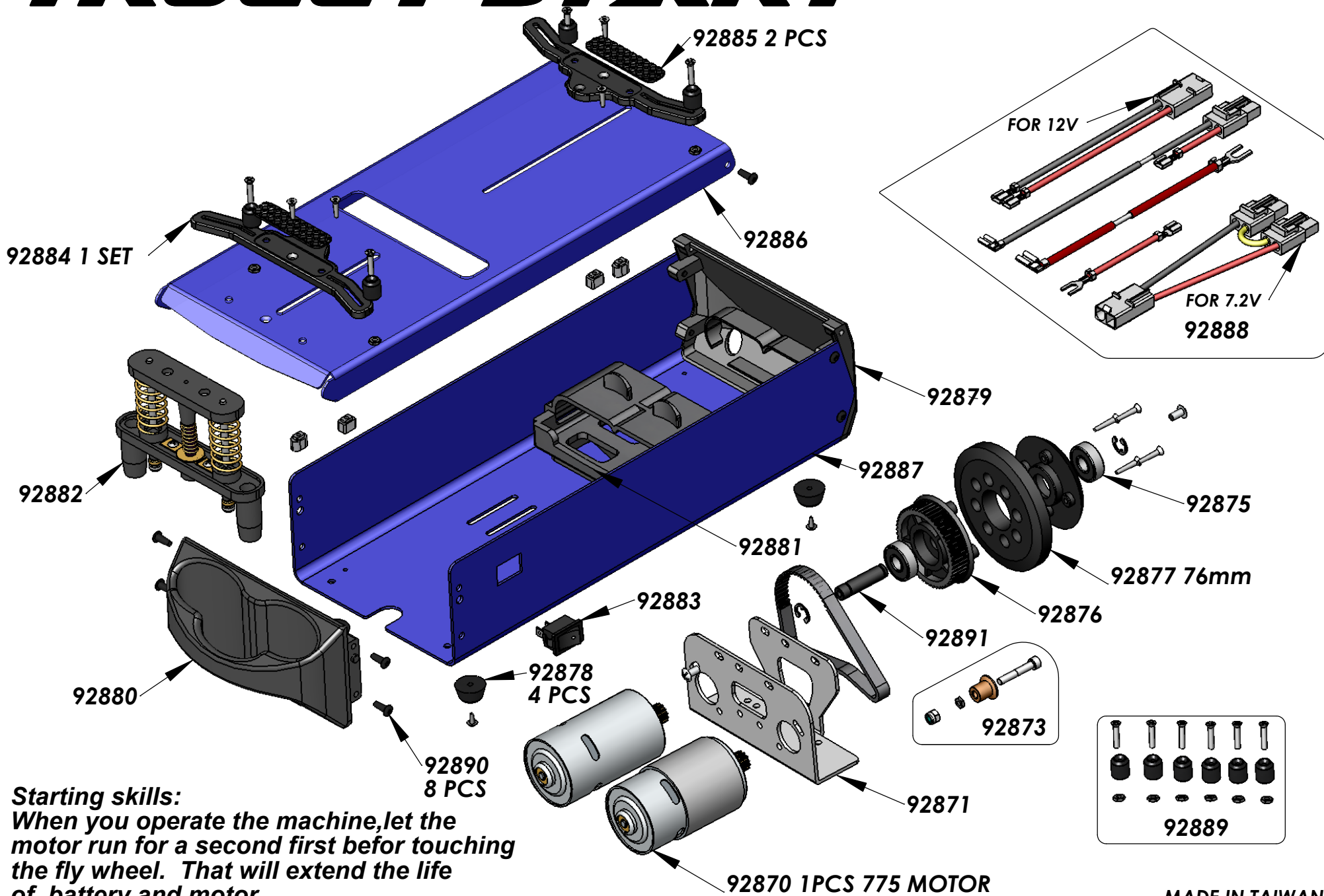


# TRUGGY START



**Starting skills:**  
 When you operate the machine, let the motor run for a second first before touching the fly wheel. That will extend the life of battery and motor.